

Belt Misalignment Switch Series TPR22-BM.

Durable BMC fiber compound enclosure.

KBT Europe product line.

Replacement for **Thermo**Ramsey 60-30 series.



Rugged and Durable Belt Misalignment Switch

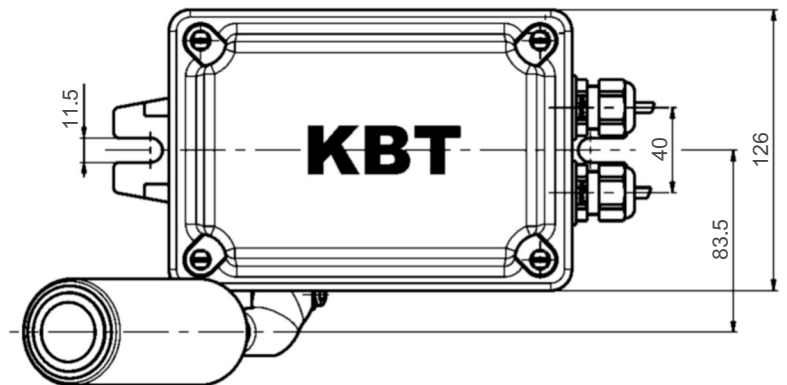
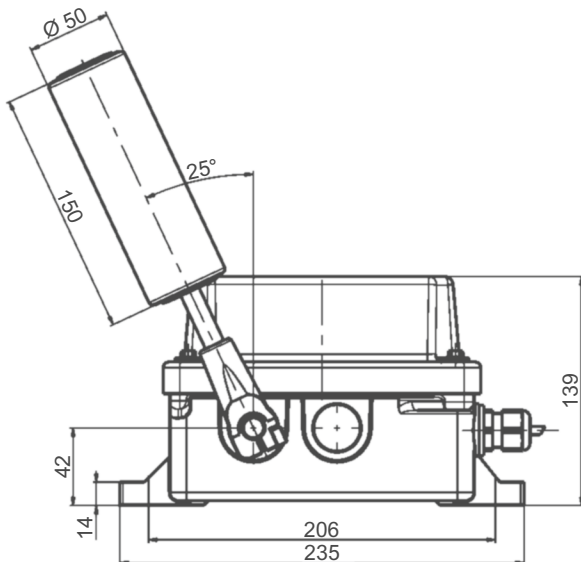
Our TPR22-BM series belt misalignment switches are conveyor safety devices that warn of belt misalignment or switch off the conveyor. Thanks to their robust, high-performance design, they are suitable for most industrial applications. Belt misalignment switches reduce downtime and maintenance costs, saving time.

The BMC fiber composite housing is robust and corrosion-resistant. The roller arm made of stainless steel has two bearings. Two TPR22-BM belt misalignment switches are mounted on either side of the conveyor. They prevent damage to the belt and equipment caused by belt misalignment.

The switch's roller arm is placed about 10 ... 15 mm away from the normal belt position. As the belt moves sideways, it touches the roller arm and it rotates. As soon as more force is applied to the roller arm, it moves away from the normal position and at 15° actuates the first Alarm microswitch. The first microswitch reports the alarm condition to the control system so corrective action can be taken. If the belt continues to move sideways, activating the second stop microswitch will stop the conveyor at the 35° position. The switch is also available with only one contact at 25°.

All micro switches are VDE approved. All products are manufactured according to CE and EAC standards. TPR22-BM series products do not require maintenance. All spare parts are available separately for easy repair.

Dimensions:



An optional BA-22C adaptor plate is available for easy replacement of **Thermo**Ramsey's discontinued ROS-60-30 switches.

MISALIGNMENT SWITCH TPR22-BM



Available Models

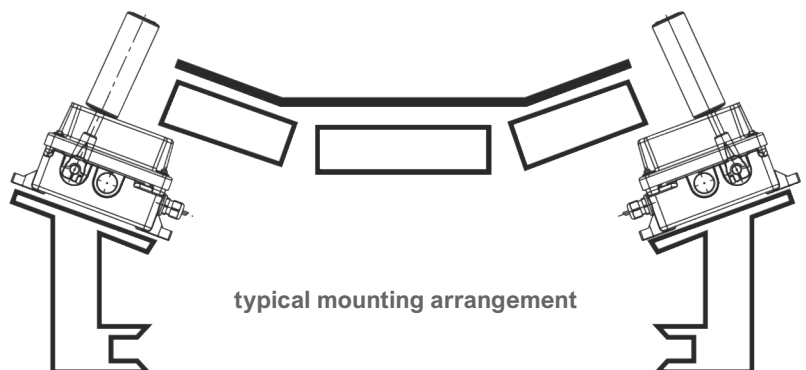
Model	Alarm			Stop			Manual Reset
	NC	NO	Angle	NC	NO	Angle	
TPR22-BM	-	-	-	1	1	25°	yes
TPR22-BM-A01	-	-	-	1	1	25°	-
TPR22-BM-A11	1	1	15°	1	1	35°	yes
TPR22-BM-A11B	1	1	15°	1	1	35°	-
TPR22-BM-22	-	-	-	2	2	25°	yes
TPR22-BM-A02	-	-	-	2	2	25°	-
TPR22-BM-33	-	-	-	3	3	25°	yes
TPR22-BM-A03	-	-	-	3	3	25°	-
TPR22-BM-A33	1	1	15°	2	2	35°	yes
TPR22-BM-A33B	1	1	15°	2	2	35°	-

Technical Specifications

Housing material: BMC (durable fiber composite material)
 Housing colour: Traffic red RAL 3020
 Cable glands: 2 x M25
 Roller arm material: Stainless steel
 Roller dimensions: 140 x Ø 41 mm
 Operating temperature: -55 °C ... +100 °C
 Impact rating: IK09 (EN 62262)
 Protection: IP 68
 Outputs: 400 V AC 6 A; 230 V AC 8 A; 24 V DC 10 A
 Switching elements: Micro switches, VDE approved
 Options: Individual switching angles; individual roller arm dimensions; PROFIBUS® safety interface
 Safety standards: EN 60947; EN 60204; EN 60529; EN 62262
 Certifications (standard): CE; EAC
 Certifications (optional): ATEX Zone 21/22 II 2D Ex tb IIIC Db T85°C
 Optional accessories: Adapter plate BA-22C with the mounting holes of the former **ThermoRamsey** 60-30, 60-31, and 60-32 switches
 Warranty: 3 years after delivery
 Weight: 3.1 kg

Spare Parts List

KB-826 1NO+1NC switch
 KB-826-2 2NO+2NC switch
 KB-826-3 3NO+3NC switch
 KB-R-01 M25x1.5 cable gland
 KB-KT-01 M25 blind plug
 KB-4-KN 4 pin connector
 BA-22C Adapter plate with the mounting holes of the former **ThermoRamsey** 60-30, 60-31, and 60-32 switches
 KB-TGV-01 Enclosure
 TSR-42-BM Stainless steel roller arm
 KB-PM Reset lever



EmWeA Prozessmesstechnik e.K.
 Günzerode Am Hagen 3
 99735 Werther
 Germany

Any question?

Phone: +49 36335 3800-0
 Telefax: +49 36335 3800-10
 info@emwea.de
 www.emwea.de

© EmWeA Prozessmesstechnik e.K. • Subject to change without prior notice!