

## Limit Switch (Position Switch) Series TPR22-PS.

Durable BMC fiber compound enclosure.

KBT Europe product line.

Replacement for **Thermo**Ramsey 60-32 series.



### Rugged and Durable Limit Switch

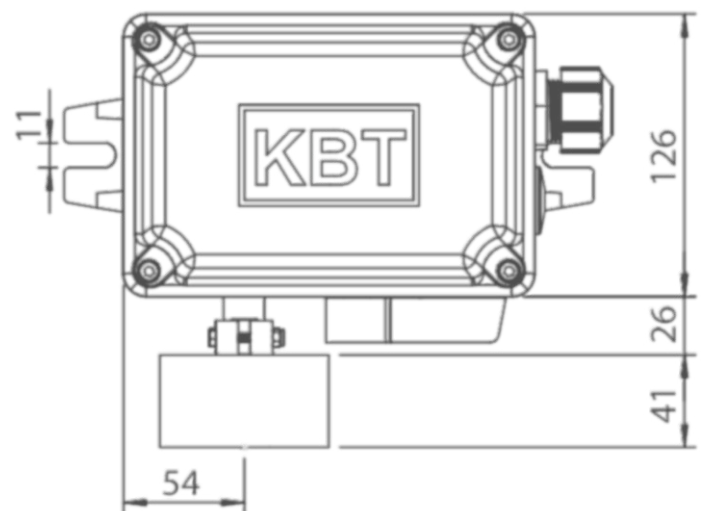
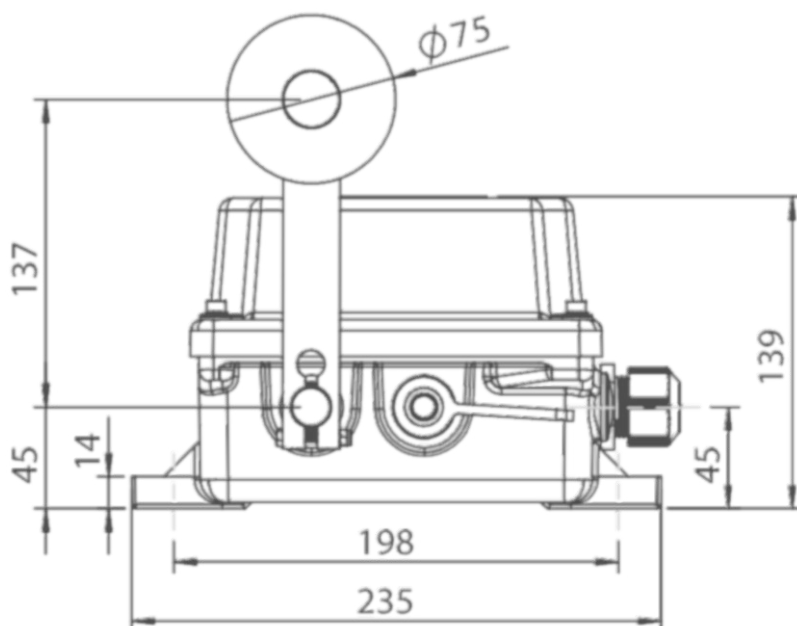
Our TPR22-PS series limit switches are conveyor belt safety devices that give a signal when a moving machine part reaches a certain position. Thanks to their robust, high-performance design, they are suitable for most industrial applications.

The BMC fiber composite housing is robust and corrosion-resistant. The roller is made of PTFE (Teflon®) and is insensitive to caking and wear.

The roller arm of the switch is placed in the desired position. When the machine part moves there, it touches the roller arm and it rotates. As more force is applied to the roller arm, it moves away from the normal position and activates the first alarm microswitch at 15°. The first micro switch reports an early warning to the control system. If the machine part continues to move, the second stop micro switch will be activated in the 35° position to stop the movement. The switch is also available with only one contact at 25°.

All micro switches are VDE approved. All products are manufactured according to CE and EAC standards. TPR22-PS series products do not require maintenance. All spare parts are available separately for easy repair.

### Dimensions:



An optional BA-22C adaptor plate is available for easy replacement of **Thermo**Ramsey's discontinued ROS-60-30 switches.

## Available Models

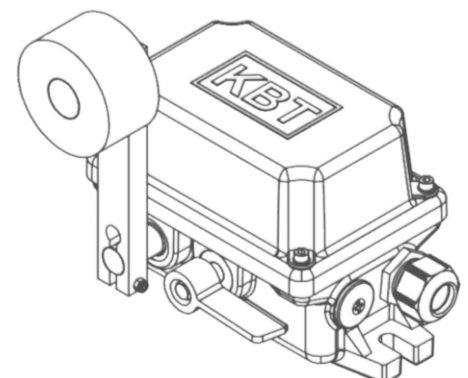
Model	Alarm			Stop			Manual Reset
	NC	NO	Angle	NC	NO	Angle	
TPR22-PS	-	-	-	1	1	25°	yes
TPR22-PS-A01	-	-	-	1	1	25°	-
TPR22-PS-A11	1	1	15°	1	1	35°	yes
TPR22-PS-A11B	1	1	15°	1	1	35°	-
TPR22-PS-22	-	-	-	2	2	25°	yes
TPR22-PS-A02	-	-	-	2	2	25°	-
TPR22-PS-33	-	-	-	3	3	25°	yes
TPR22-PS-A03	-	-	-	3	3	25°	-
TPR22-PS-A33	1	1	15°	2	2	35°	yes
TPR22-PS-A33B	1	1	15°	2	2	35°	-

## Technical Specifications

Housing material:	BMC (durable fiber composite material)
Housing colour:	Traffic red RAL 3020
Cable glands:	2 x M25
Roller arm material:	Aluminum, PTFE (Teflon®)
Operating temperature:	-55 °C ... +100 °C
Impact rating:	IK09 (EN 62262)
Protection:	IP 68
Outputs:	400 V AC 6 A; 230 V AC 8 A; 24 V DC 10 A
Switching elements:	Micro switches, VDE approved
Options:	Individual switching angles; individual roller arm dimensions; PROFIBUS® safety interface
Safety standards:	EN 60947; EN 60204; EN 60529; EN 62262
Certifications (standard):	CE; EAC
Certifications (optional):	ATEX Zone 21/22 II 2D Ex tb IIIC Db T85°C
Optional accessories:	Adapter plate BA-22C with the mounting holes of the former <b>ThermoRamsey</b> 60-30, 60-31, and 60-32 switches
Warranty:	3 years after delivery
Weight:	2,7 kg

## Spare Parts List

KB-826	1NO+1NC switch
KB-826-2	2NO+2NC switch
KB-826-3	3NO+3NC switch
KB-R-01	M25x1.5 cable gland
KB-KT-01	M25 blind plug
KB-4-KN	4 pin connector
BA-22C	Adapter plate with the mounting holes of the former <b>ThermoRamsey</b> 60-30, 60-31, and 60-32 switches
KB-TGV-01	Enclosure
TSR-42-PS	Aluminum PTFE roller arm
KB-PM	Reset lever



EmWeA Prozessmesstechnik e.K.  
Am Hagen 3  
99735 Werther  
Germany

*Any question?* →

Phone: +49 36335 3800-0

info@emwea.de  
www.emwea.de

© EmWeA Prozessmesstechnik e.K. ▪ Subject to change without prior notice!