

## Pull Cord Emergency Switch Series NSR66-PR.

Robust die-cast aluminum enclosure.

KBT Europe product line.

Replacement for **Thermo**Ramsey Serien SPS-2E, and SPS-4E series.



### Robust Safety Pull Cord Switch

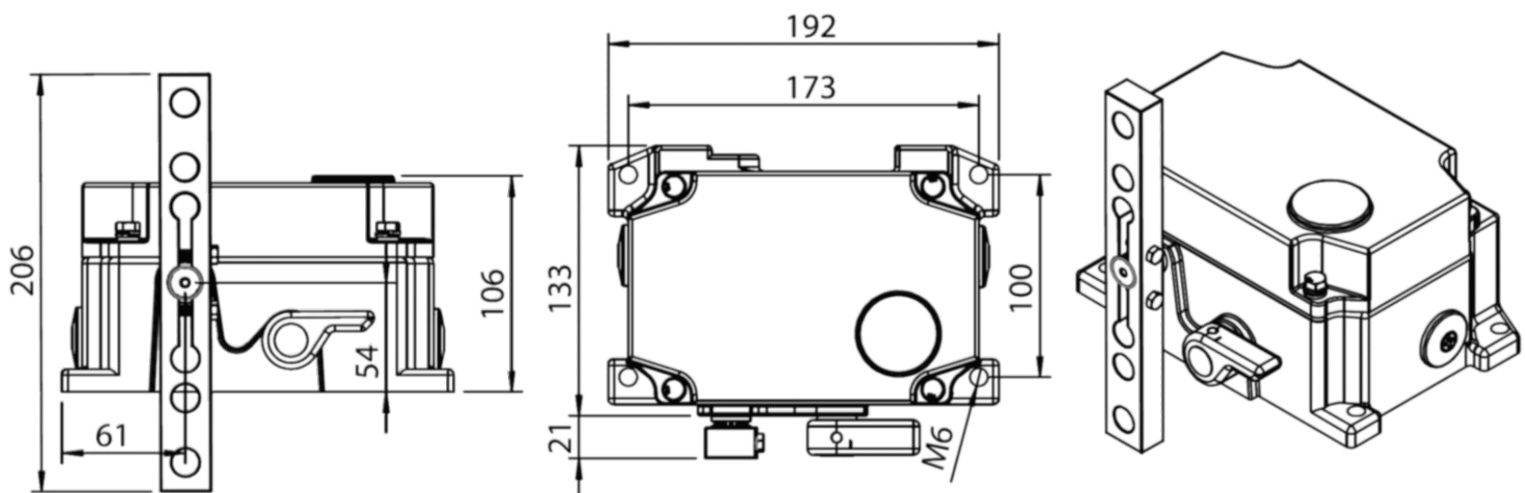
Our NSR66-PR series pull cord switches are conveyor safety devices that shut down the conveyor belt or machine in emergency situations or during maintenance work. Thanks to their robust construction, they are suitable for many industrial applications.

The die-cast aluminium housing is robust and resistant. The shaft mechanism is made of stainless steel. All internal parts are made of cast metal.

For standard applications, the rope length is a maximum of 50 m on both sides. All models can be equipped with an alarm contact and a signal lamp. The product is suitable for vertical and horizontal mounting.

All micro switches are VDE approved. All products are manufactured according to CE and EAC standards. NSR66-PR series products do not require maintenance. All spare parts are available separately for easy repair.

### Dimensions:



# PULL CORD SWITCH NSR66-PR



## Technical Specifications

Housing material:	Die-cast aluminium, powder-coated
Housing colour:	Lemon yellow RAL 1012
Cable glands:	2 x M25
Rope length:	2 x max. 50 m
Operating temperature:	-45 °C ... +80 °C
Impact rating:	IK09 (EN 62262)
Protection:	IP67
Switching angle:	20°
Outputs:	2 x 250 V AC 15 A; 24 V DC 10 A
Switching elements:	Micro switches, VDE approved
Options:	Signal lamp; individual switching angles; individual rope connection arm dimensions; PROFIBUS® safety interface
Safety standards:	EN 60947; EN 60204; EN 60529; EN 62262
Certifications (standard):	CE; EAC
Certifications (optional):	ATEX Zone 21/22 II 2D Ex tb IIIC Db T85°C
Warranty:	2 years after delivery
Weight:	3.6 kg

## Spare Parts List

Z-15GW22-B	1NO+1NC switch
KB-R-01	M25x1.5 cable gland
122.R1.1241	M25 blind plug
KB-4-KN	4 pin connector
BA-33	Mounting bracket
166.G1.1110	Enclosure
166.KL1.1625	Rope connection arm
166.RM1.1618	Reset lever



EmWeA Prozessmesstechnik e.K.  
Am Hagen 3  
99735 Werther  
Germany

*Any question?*

Phone: +49 36335 3800-0

info@emwea.de  
www.emwea.de

© EmWeA Prozessmesstechnik e.K. ▪ Subject to change without prior notice!