

# PULL CORD SWITCH TPR22-PR



DATA SHEET

## Pull Cord Emergency Switch Series TPR22-PR.

Durable BMC fiber compound enclosure.

KBT Europe product line.

Replacement for **Thermo**Ramsey 60-31 series.



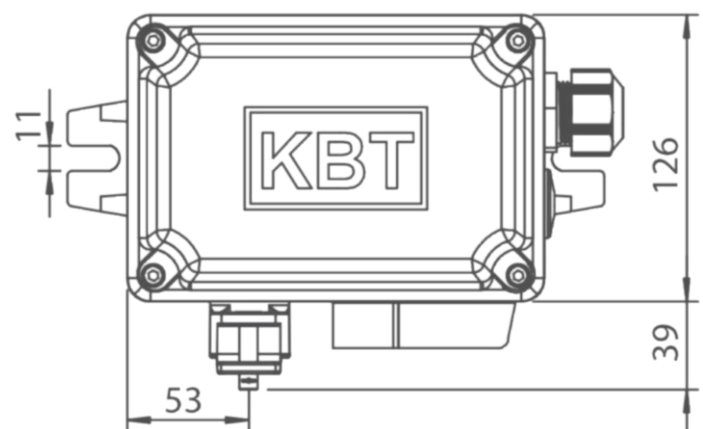
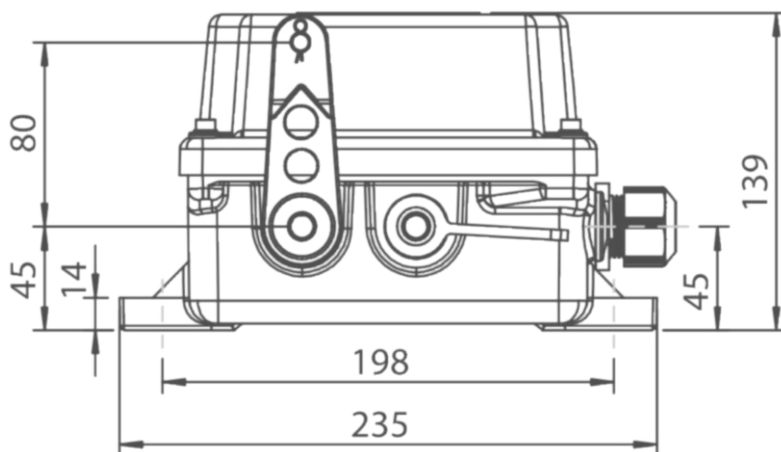
## Rugged and Durable Belt Misalignment Switch

Our TPR22-PR series pull cord switches are conveyor safety devices that shut down the conveyor belt or machine in emergency situations or during maintenance work. Thanks to their robust, high-performance design, they are suitable for most industrial applications.

The BMC fiber composite housing is robust and corrosion-resistant. The shaft mechanism is made of stainless steel. All internal parts are made of cast metal. For standard applications, the rope length is a maximum of 65 m on both sides. All models can be equipped with an alarm contact and a signal lamp.

All micro switches are VDE approved. All products are manufactured according to CE and EAC standards. TPR22-PR series products do not require maintenance. All spare parts are available separately for easy repair.

## Dimensions:



An optional BA-22C adaptor plate is available for easy replacement of **Thermo**Ramsey's discontinued ROS-60-31 switches.

# PULL CORD SWITCH TPR22-PR



## Available Models

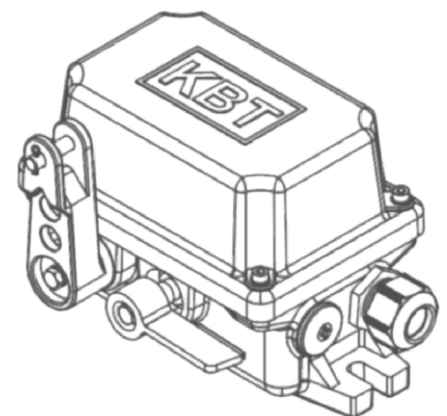
Model	Alarm			Stop			Man. Reset	Signal lamp
	NC	NO	Angle	NC	NO	Angle		
TPR22-PR	-	-	-	1	1	25°	yes	no
TPR22-PR-LGR	-	-	-	1	1	25°	yes	yes
TPR22-PR-22	-	-	-	2	2	25°	yes	no
TPR22-PR-22-LGR	-	-	-	2	2	25°	yes	yes
TPR22-PR-33	-	-	-	3	3	25°	yes	no
TPR22-PR-33-LGR	-	-	-	3	3	25°	yes	yes

## Technical Specifications

Housing material:	BMC (durable fiber composite material)
Housing colour:	Traffic red RAL 3020
Cable glands:	2 x M25
Rope length:	2 x max. 65 m
Operating temperature:	-55 °C ... +100 °C
Impact rating:	IK09 (EN 62262)
Protection:	IP 68
Outputs:	400 V AC 6 A; 230 V AC 8 A; 24 V DC 5 A
Switching elements:	Micro switches, VDE approved
Options:	Signal lamp, individual switching angles; individual roller arm dimensions; PROFIBUS® safety interface
Safety standards:	EN 60947; EN 60204; EN 60529; EN 62262
Certifications (standard):	CE; EAC
Certifications (optional):	ATEX Zone 21/22 II 2D Ex tb IIIC Db T85°C
Optional accessories:	Adapter plate BA-22C with the mounting holes of the former <b>ThermoRamsey</b> 60-30, 60-31, and 60-32 switches
Warranty:	3 years after delivery
Weight:	2.1 kg

## Spare Parts List

KB-826	1NO+1NC switch
KB-826-2	2NO+2NC switch
KB-826-3	3NO+3NC switch
KB-R-01	M25x1.5 cable gland
KB-KT-01	M25 blind plug
KB-4-KN	4 pin connector
BA-22C	Adapter plate with the mounting holes of the former <b>ThermoRamsey</b> 60-30, 60-31, and 60-32 switches
KB-TGV-01	Enclosure
TSR-42-PRP	Shaft arm
KB-PM	Reset lever



EmWeA Prozessmesstechnik e.K.  
Am Hagen 3  
99735 Werther  
Germany

*Any question?* →

Phone: +49 36335 3800-0

info@emwea.de  
www.emwea.de

© EmWeA Prozessmesstechnik e.K. ▪ Subject to change without prior notice!